



## Description

**S65-5366-446:** This antenna design features a helical antenna and a passive L1 GPS patch, enclosed in an Ultem radome, with one TNC and one SMA port connector.

This helical antenna was designed to interface with the Iridium Iridium Certus® 100 voice and data receiver. When paired with a Iridium Certus® 100, the **S65-5366-446** antenna has the capability of making audio and video transmissions 35 times faster than other receivers.

## Iridium Certus® 100 COMPATIBLE EQUIPMENT

**Federal & Military Certifications:** RTCA/DO-160G, RTCA/DO-262F, MIL-HDBK-5400

## Specifications

### Environmental

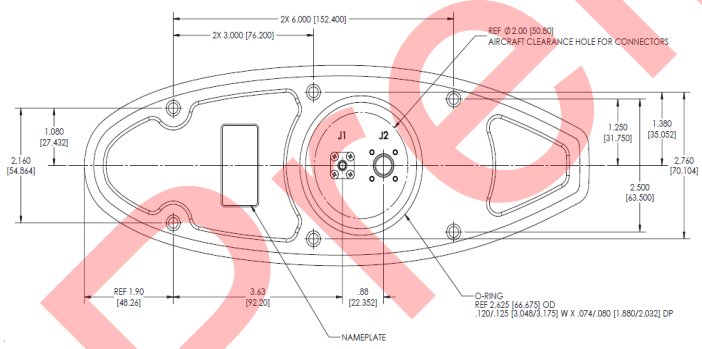
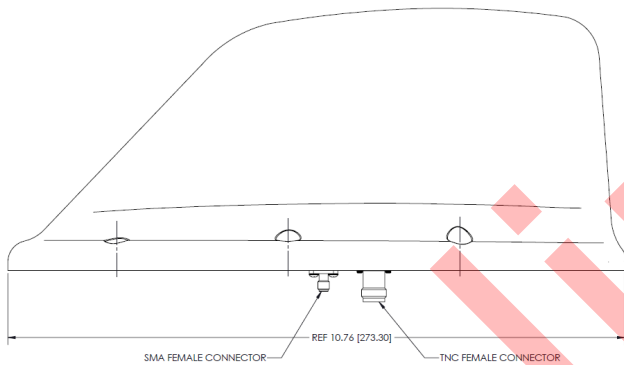
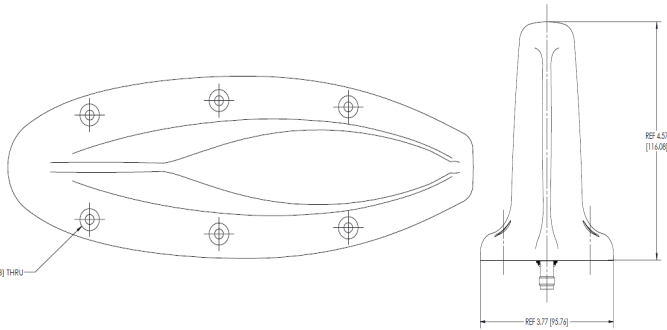
	<b>J1 GPS</b>	<b>J2 Iridium</b>
Frequency	1575.42 ± 3 MHz	1616.0 - 1626.5 MHz
VSWR	≤ 2.0:1	≤ 1.8:1
Impedance	50 Ω	
Polarization	RHCP	
Gain	+1dBc typ.	
Axial Ratio	+3dB max at zenith	
Power Handling	+10W typ.	

### Mechanical

Weight	1.5 lbs.
Height	4.57 in.
Length	11 in.
Width	4.25 in.
Material	6061-T6 Aluminum Alloy / Thermoset
Finish	Plastic Gloss White
Connector	J1: Type "SMA" Female J2: Type "TNC" Female
Drag	1.1 lbs. @ Mach .85 @ 35,000 ft.

### Environmental

Temperature	-55°C (-65°F) to +85°C (+185°F)
Altitude	70,000 ft.



Please Note: For REFERENCE ONLY  
Contact Sensor Systems for latest drawing



A HEICO COMPANY

Website: [www.sensorantennas.com](http://www.sensorantennas.com)

Phone: 818-341-5366